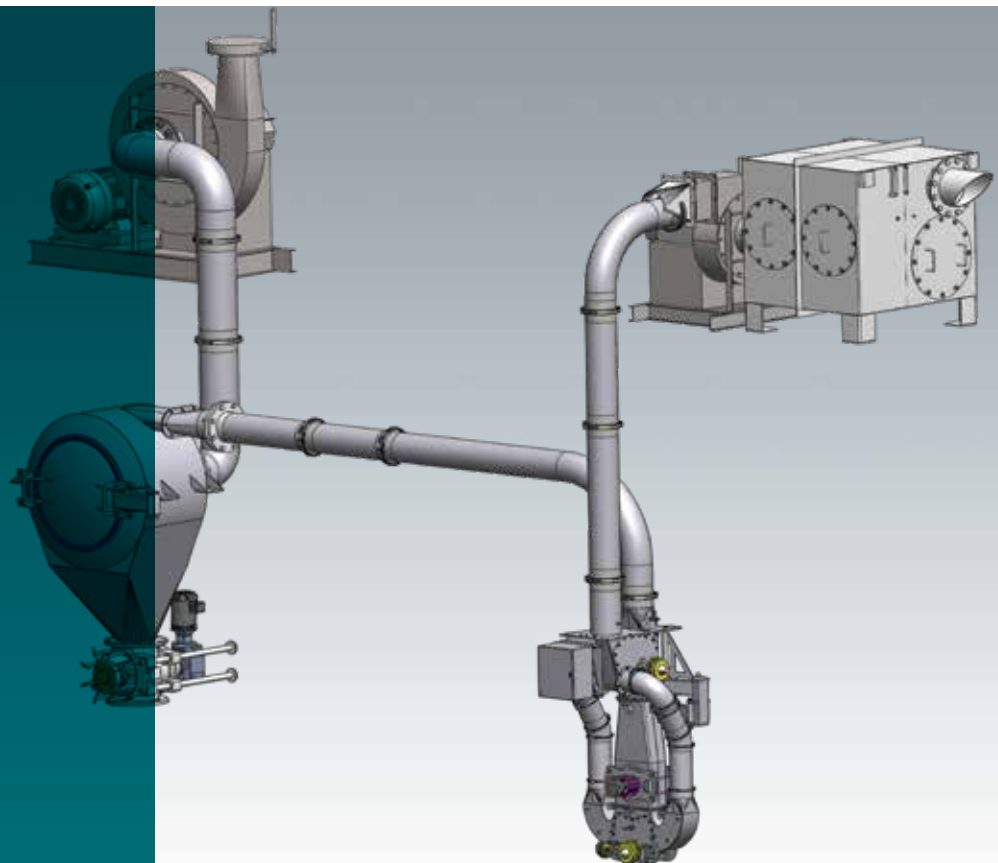


CleanLine Supplied Air Extruder Negative Airlift System

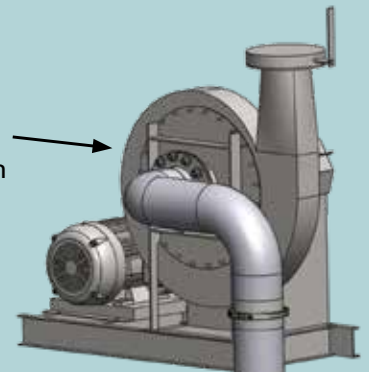
**Pneumatic
convey system
for pet food
and food
extrusion
processes**



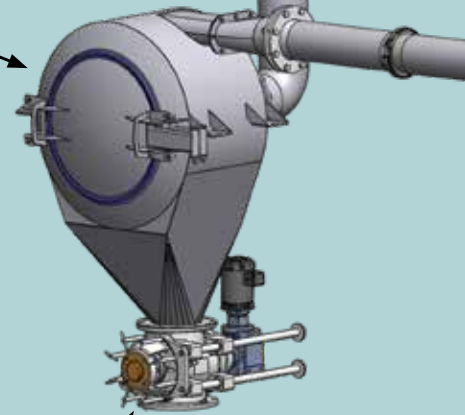
CleanLine Supplied Air Extruder

The Schenck Process CleanLine Supplied Air Extruder Negative Airlift System is designed to safely convey extrudate from the extruder to the dryer in pet food and food manufacturing processes. Using HEPA filtered or treated convey air instead of potentially contaminated air from the extruder room floor helps reduce the potential of product contamination. This is important to all pet food and food producers concerned with avoiding finished product bacteria contamination after the extrusion kill step.

Fans – Moves air through the system

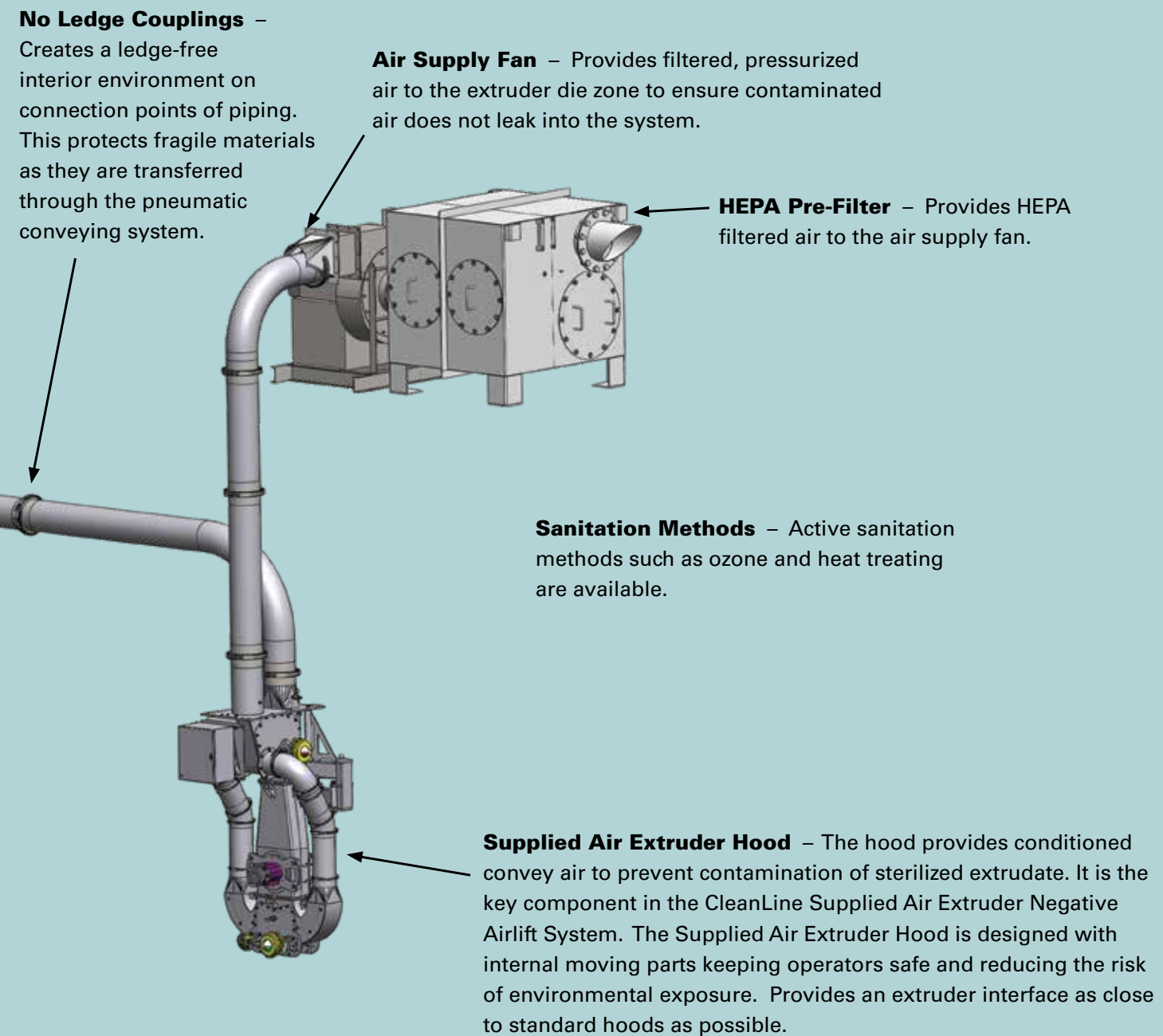


Horizontal Material Separator – Separates large materials in a Negative Airlift System from the airstream. Offers a reduced stack up height and improved access for cleaning. Smaller, compact system allows for a large access door to be mounted on the end of the main housing, providing full access to the interior for cleaning and inspections.



GCA Airlock – The endplates and rotor can be disassembled and removed from the valve housing for cleaning. Easy access to the seals with rotor removed from the endplate. Ideal for high process rates and operating in sanitary environments.

Negative Airlift System





Schenck Process develops, manufactures and markets a full range of solutions, products and turnkey systems on the basis of combining process engineering expertise, reliable components and field-proven technology.

Safely convey bulk solid materials



Schenck Process
746 E. Milwaukee Street
Whitewater, WI 53190
262-473-2441
americas@schenckprocess.com
www.schenckprocess.com/us

we make processes work